

BikeMount

Bike Carrier for the TracRac System

Installation Guide

SKU 25409

BikeMount is a unique product that allows users to securely mount bicycles to their TracRac. It mounts to the baserails or overhead rack crossbars and repositions in seconds.

No tools are necessary for installation.

TracRac accepts no responsibility for improper installation

Extremely quick and easy mounting



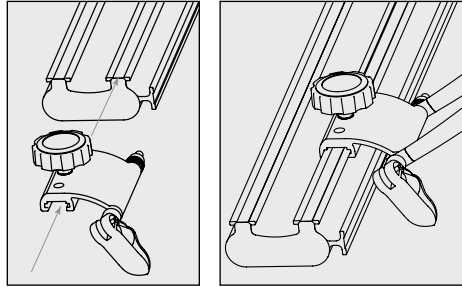
TracRac, Inc.

994 Jefferson Street, Fall River, MA 02721

T: 800.501.1587 • F: 508.677.4136

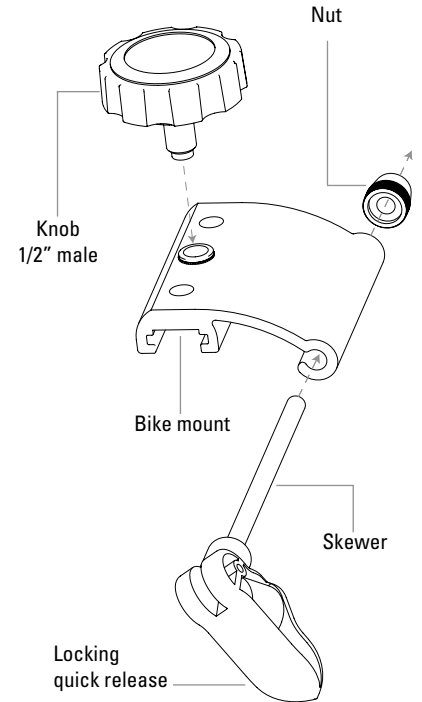
www.tracrac.com

Baserail configuration

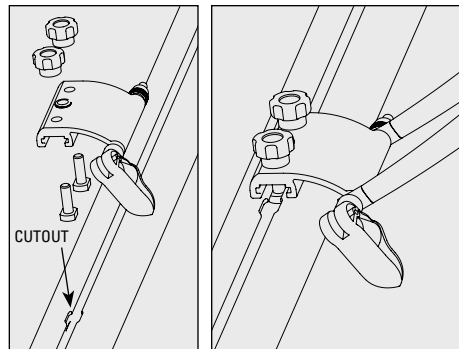


Baserail Installation

- Remove socket head safety bolt with 3/16" Allen wrench.
- Tighten knob at desired location.
- Reinstall socket head safety bolt.
- Slide BikeMount onto inner top baserail track and tighten knob.
- Set bicycle fork squarely onto the BikeMount skewer.
- With lever open, tighten nut until the lever closes with resistance.
- Test to see that the forks are installed securely. If fork can be pulled from the BikeMount, open lever and tighten nut slightly. Repeat if necessary.

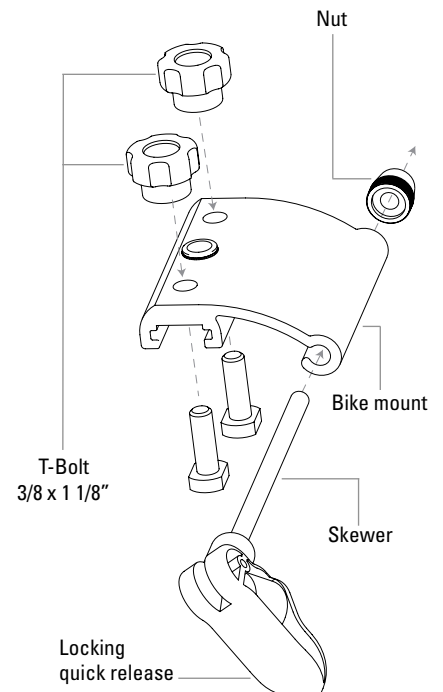


Crossbar configuration



Crossbar Installation

- Insert both T-Bolts into crossbar cutout and move (*left or right*) at least 1" away from the cutout.
- Place BikeMount onto T-Bolts. Tighten both knobs.
- Set bicycle fork squarely onto the BikeMount skewer.
- With lever open, tighten nut until the lever closes with resistance.
- Test to see that the forks are installed securely. If fork can be pulled from the BikeMount, open lever and tighten nut slightly. Repeat if necessary.



SKU 25409